



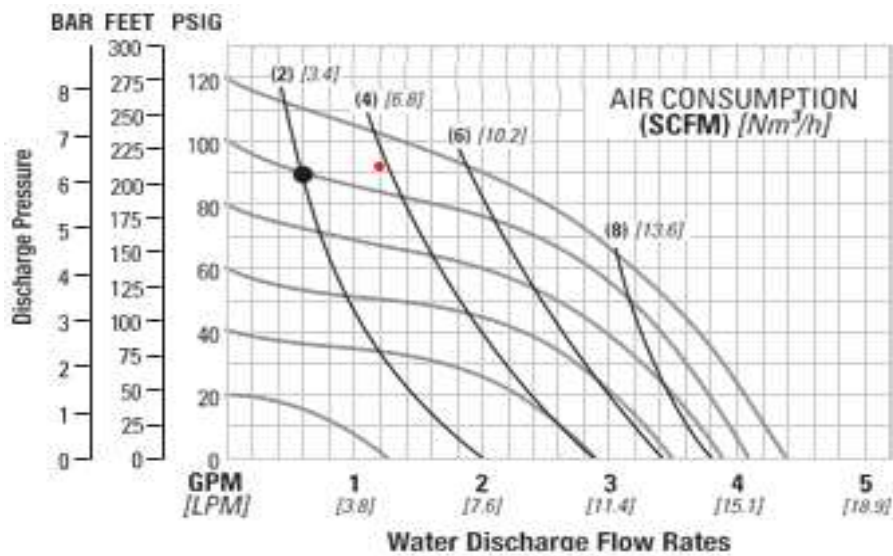
AIR OPERATED DOUBLE DIAPHRAGM PUMP

SECTION 1 – NOMENCLATURE

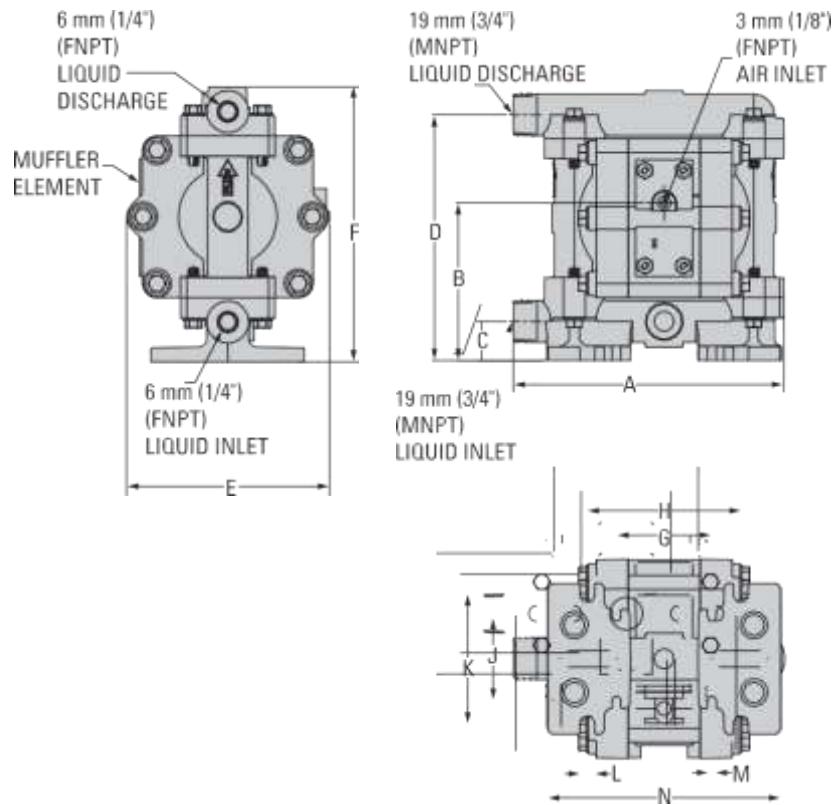
Max Flow rate	: 16.7Lpm
Port Size	: Inlet : 1/4" BSP Discharge : 1/4" BSP Air Inlet : 1/8" Air Exhaust : 12.70mm (1/2 " BSP)
Suction Lift	: Dry : 1.9m (6.2') Wet : 9.3m (30.6')
Max Particle Size (Dia)	: 0.7mm (1/32")
Diaphragm	: Teflon, Santoprene, Buna



SECTION 2 – FLOW CURVES



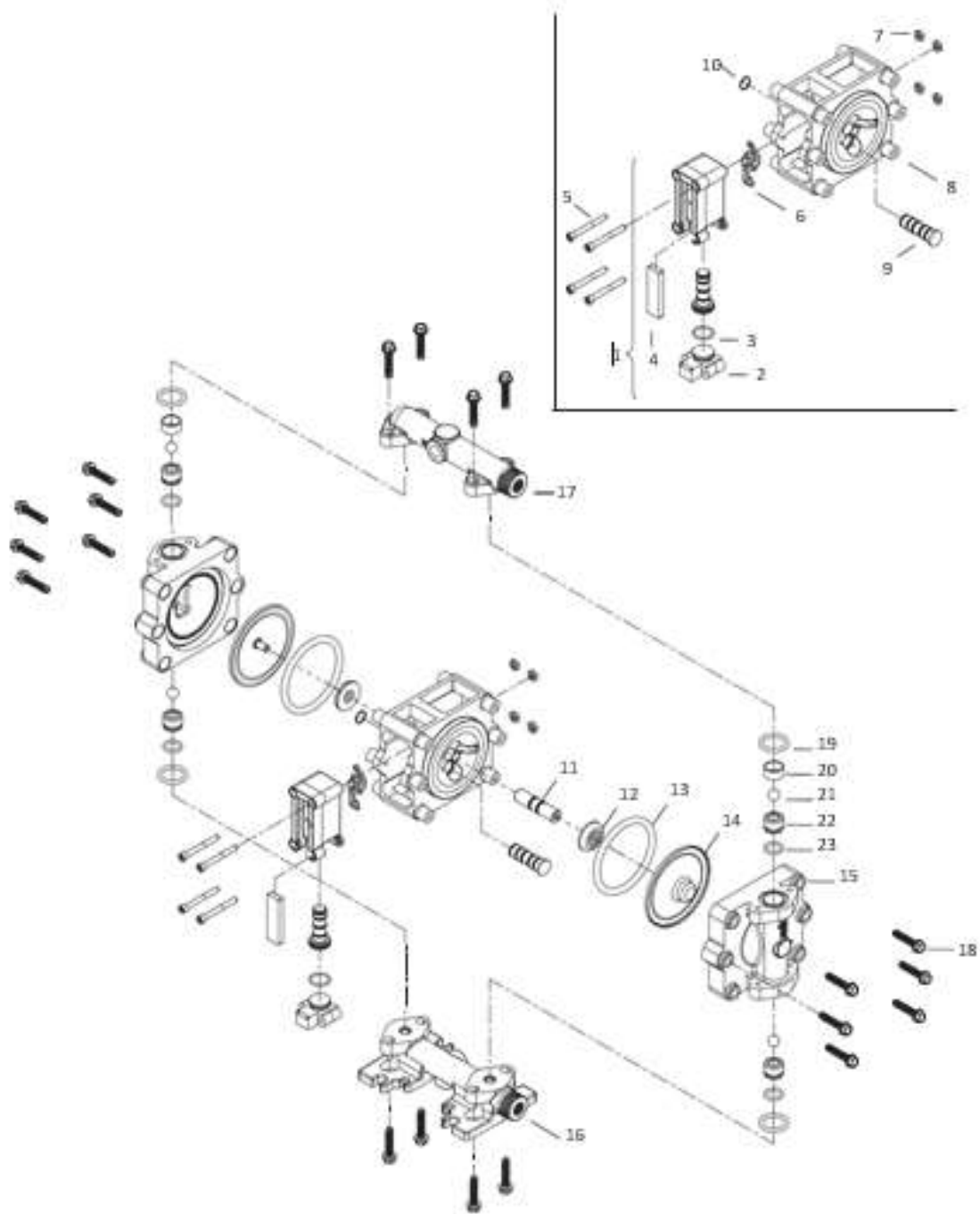
SECTION 3 – DIMENSIONS DRAWING



DIMENSIONS

ITEM	METRIC (mm)	STANDARD (inch)
A	173	6.8
B	102	4.0
C	25	1.0
D	157	6.2
L	127	5.0
F	173	6.8
G	61	2.4
	99	3.9
J	53	2.1
K	81	3.2
I	10	0.4
M	5	0.2
N	150	5.9

SECTION 4 – PUMP VIEW



SECTION 5 – SPARE PART LIST

No.	Part Description	Qty.	Polypropylene
1	Air Valve Assembly	1	00-2000-20-700
2	Air Valve End cap	1	00-2300-20-700
3	End Cap 'o' Ring	1	00-2390-52-700
4	Muffler Element	1	00-3240-26-700
5	Air Valve Bolt	4	00-6000-03-700
6	Air Valve Gasket	1	00-2600-52-700
7	Air Valve Nut	4	01-6400-03
8	Center Section	1	00-3155-20
9	Pilot Spool Assembly	1	00-3850-99-700
10	Pilot Spool Retaining Ring	1	00-2650-03-700
11	Main Shaft Assembly	1	00-3800-99-700
12	Inner Piston for PTFE	2	00-3750-20-700
13	Backup O-Ring	2	00-1070-51
14	Diaphragm	2	00-1030-55
15	Liquid Chamber	2	00-5005-20
16	Inlet Manifold	1	00-5095-20
17	Discharge Manifold	1	00-5035-20
18	Screw, HWHTap (BT), 1/4-20 x 1-1/4"	20	00-6350-03
19	Manifold O-Ring	4	01-1200-60-520
20	Retainer Sleeve	2	00-5440-20
21	Valve Ball	4	00-1080-55
22	Valve Seat	4	00-1130-20
23	Valve Seat O-Ring	4	00-1206-60